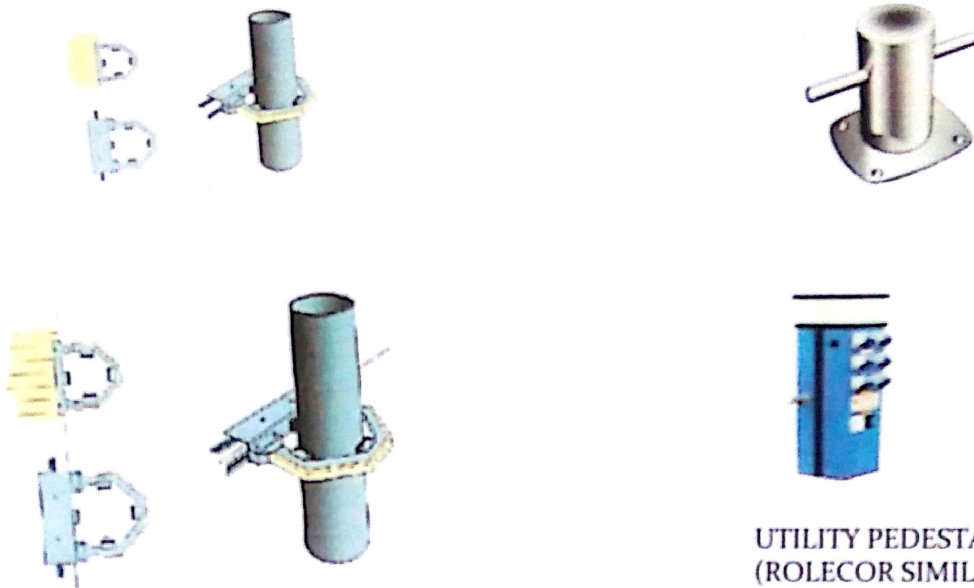


FACILITIES AND EQUIPMENT DETAILS

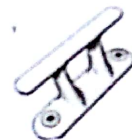


PILE GUIDE

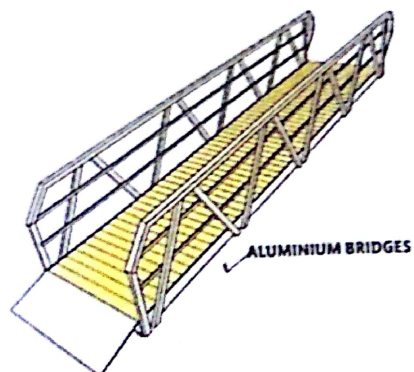
UTILITY PEDESTAL
(ROLECOR SIMILAR)



Yacht Fingers

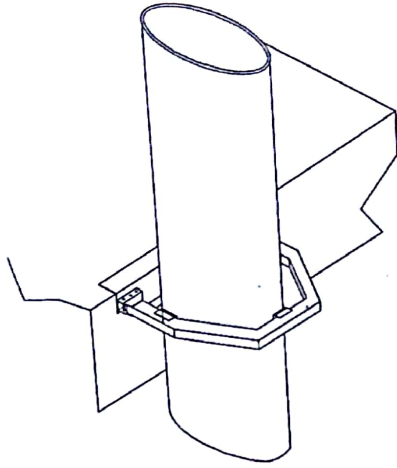


TYPICAL CLEAT

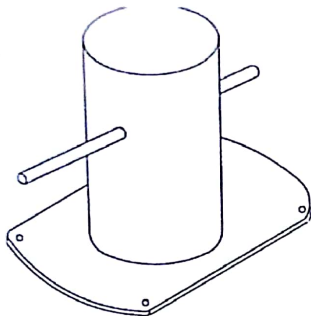


ALUMINIUM BRIDGES

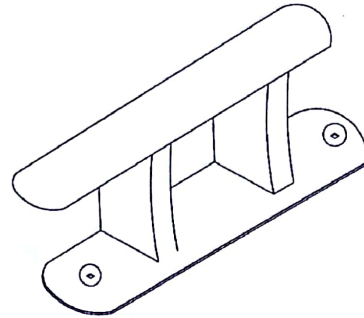
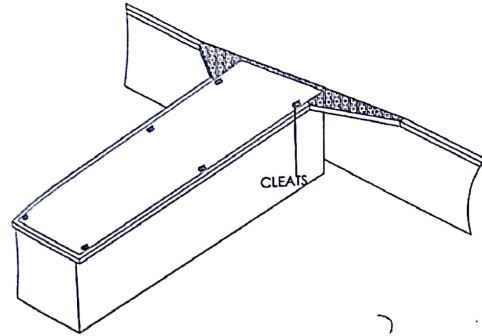
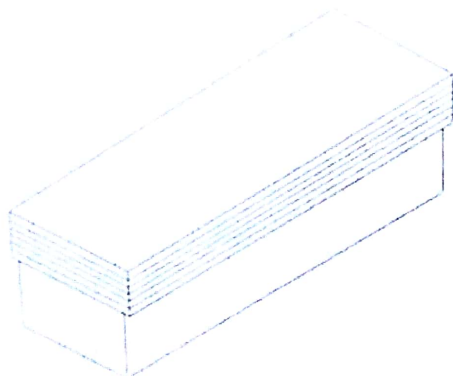




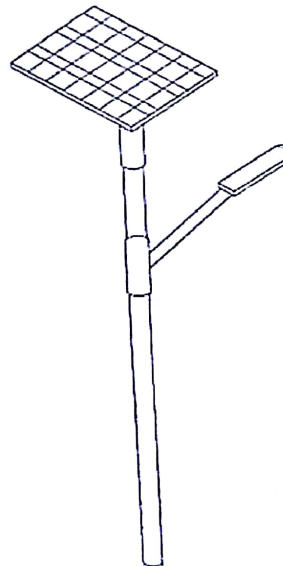
TYPICAL BOLLARD



HEAVY DUTY CONCRETE PONTOON



CLEAT LOCATIONS



SOLAR PANEL LIGHT



GIS LOCATION



GIS LOCATION



GIS LOCATION

